

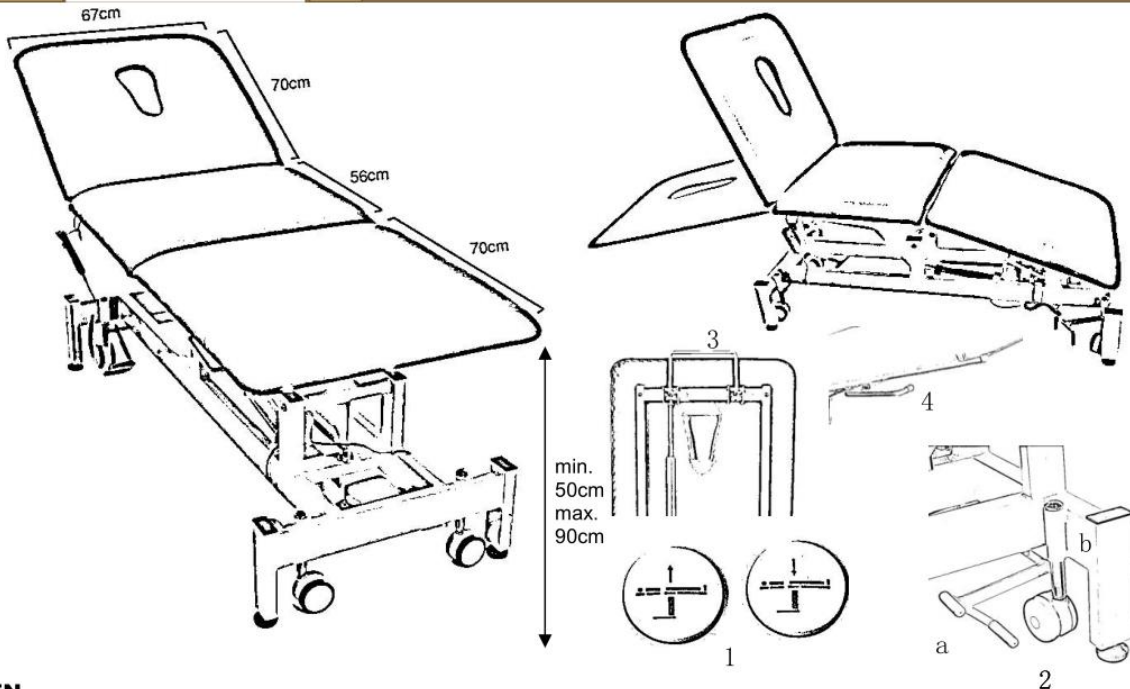
3 SECTION ELECTRIC EXAMINATION COUCH MODEL: AM-03



This electric examination table has a very strong table designed to withstand constant heavy use with minimal maintenance. This examination table addresses the requirements of a wide range of handling issues to benefit both patient and doctor.

Technical Specifications:

Product Size	196*66*50/89 cm
Packing Size	199*74*53 cm
CBM/pc	0.8
Weight/kgs	N.W.:75 KGS G.W.:90 KGS
Motor QTY	1 motors
Adjustable Position	1 for up & down
Bed surface	3 sections
Power plug	Customize
Voltage	220V
Color of leather	Blue
Material of leather	PU/PVC leather,Synthetic leather



EN

- * The height up and down control by motor remote padel (1),the arrow up means up
- * The backrest up and down control by hydraulic lever (3)
- * The end section up and down control by hydraulic lever (4)
- * The foot lever(2) control wheels and down,push the 4 foot levers to position (a) can move the bed to other places;when using the bed, please keep them in position (b)

