



### **WYLEDK5 Ceiling Minor LED Surgical Lighting**

We are proudly introducing the WYLEDK surgical lighting system, which is a simpler LED lighting, while still delivering uncompromising light performance and cool, white high intensity light. It has been designed to illuminate operating room surgical fields and can be adjusted for light intensity in a variable pattern size. The result is the WYLEDK LED surgical light system: high performance optics in a familiar suspension.

Modern LED lighting technology

Traditional suspension

Variety of configurations: ceiling mounted, wall mounted and floor standing

A high-quality system to match your OR needs and your budget

The advanced LED technology in our lightheads offer:

High intensity

Cool, bright white light

Accurate color rendition

Superior deep-cavity illumination

Excellent shadow control

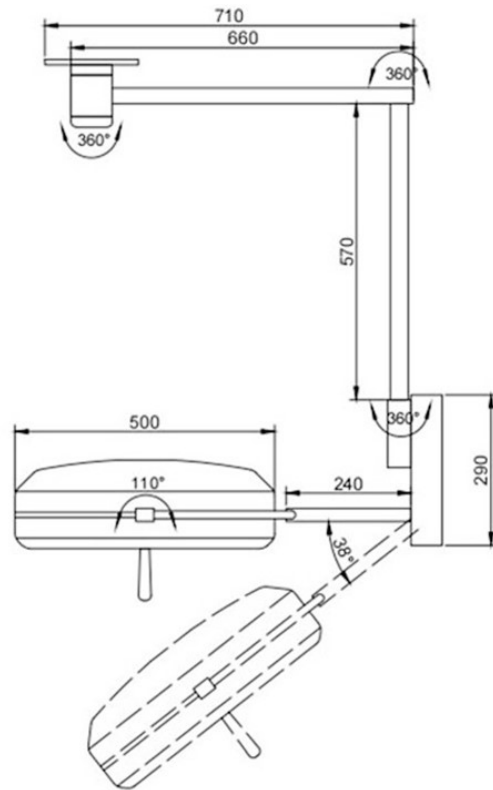
Energy efficiency

Technical Parameter	Model No.
	WYLEDK5
Light intensity in Lux at 1 meter distance	50,000-150,000
Color Temperature (K)	4000±500
Color rendering index(Ra)	≥90
Focusable Light Field size (mm)	200±50
Working distance (mm)	60-140
Depth of Illuminance (mm)	≥800
Temperature increase in the head area	0.5℃

Radiance Energy (w/m <sup>2</sup> )	600
Diameter of Lamp Head (mm)	500
Light Source LED (pcs)	25
Life-span of the LEDs	50, 000 h
Electric & frequency (V& Hz)	100-240 & 50/60

Packing List

Model No.	WYLEDK5
Light head	1
Supporting tube	1
Balance arm	1
Fixing plate	1
Hand grip	1
Service Manual	1
Installation tool	1
Spare safety wire	1



All the measurement is millimetre.