



EXCEED IN QUALITY AND MORE

WYLEDK5

LED Operating Light



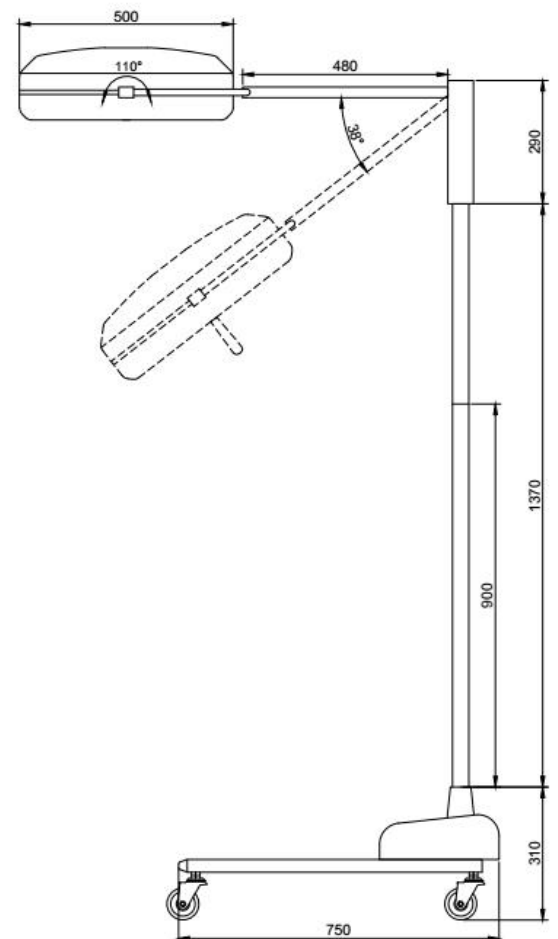


EXCEED IN QUALITY AND MORE

WYLEDK series surgical lighting system is designed to illuminate operating room surgical field and can be adjusted for light intensity in a variable pattern size.

General Features

- High-intensity of 130,000 lux at 1 meter;
- 4 500K color temperature offers natural and true coloring;
- Accurate color rendition;
- Super deep-cavity illumination;
- Excellent shadow control;
- Energy efficiency;
- Osram LED chips – each rated with a 50,000 hour bulb life;
- Extremely smooth focus mechanism with the focusing knob;
- Variety of configuration: floor standing, wall mounted and ceiling.



Measurement: mm

Technical Details

- Illumination: 130,000 lux
- Color temperature: 4000±500K
- Color rendering index: 96%
- Light field size: 200±50mm
- Illumination depth: 10000mm
- Bulb power: 1W
- Diameter of lamp head: 500mm
- Qty of LEDs: 25
- Temperature rise at surgeon's head: Less than 2°C